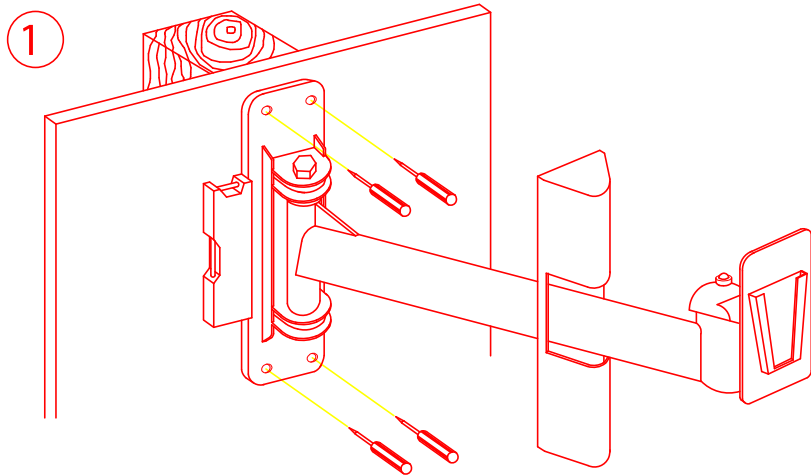
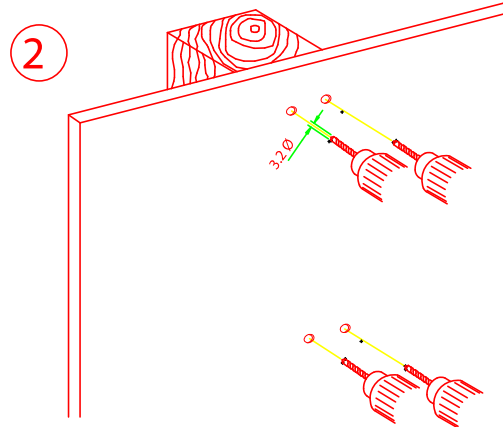


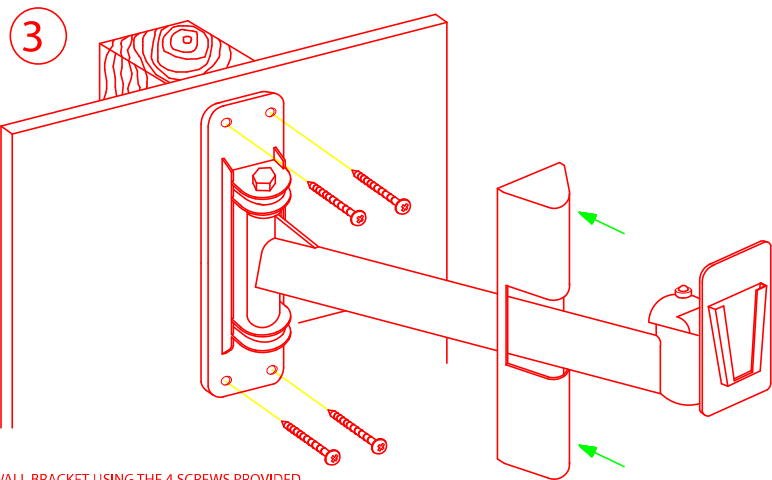
# FOR STUDDED WALL FIXING



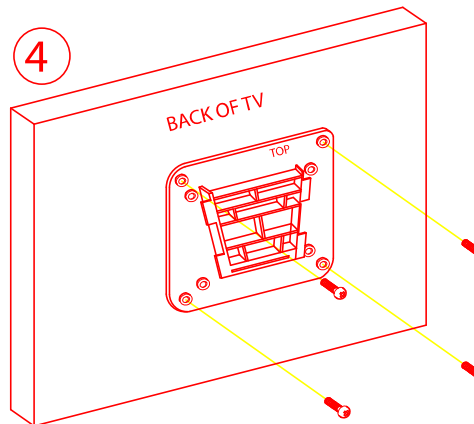
POSITION TO ENSURE ALL 4 HOLES WILL FIX TO FIRM WOOD STUD AND LEVEL WITH SPIRIT LEVEL. MARK ALL 4 HOLE POSITIONS.



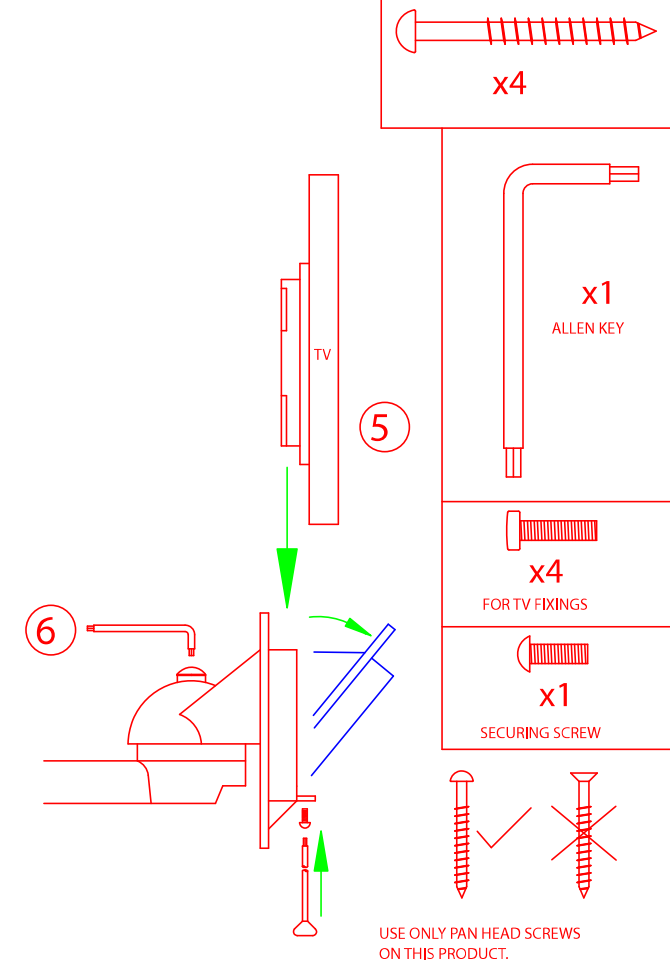
FOR STUDDED WALLS SCREWS MUST BE FIXED TO A FIRM WOOD STUD, THE 4 HOLES MARKED ARE TO BE PRE-DRILLED TO 3.2 DIA. (1/8") INTO THE WOOD STUD.



FIX WALL BRACKET USING THE 4 SCREWS PROVIDED. NEVER FASTEN TO PLASTERBOARD OR PANELING ONLY. DO NOT TIGHTEN SCREWS WITH EXCESSIVE FORCE. WHEN SECURE SLIDE COVER INTO POSITION.



FIX TV BACK PLATE BRACKET TO BACK OF TV AS SHOWN WITH M4 SCREWS, USING 75mm. OR 100mm. CRS. AS APPROPRIATE.



- ⑤ SLOT TV INTO WALL BRACKET AND SECURE FROM UNDERNEATH WITH SOCKET M4 SCREW USING SOCKET DRIVER PROVIDED.
- ⑥ ADJUST TILT TO SUIT, USING ALLEN KEY PROVIDED.

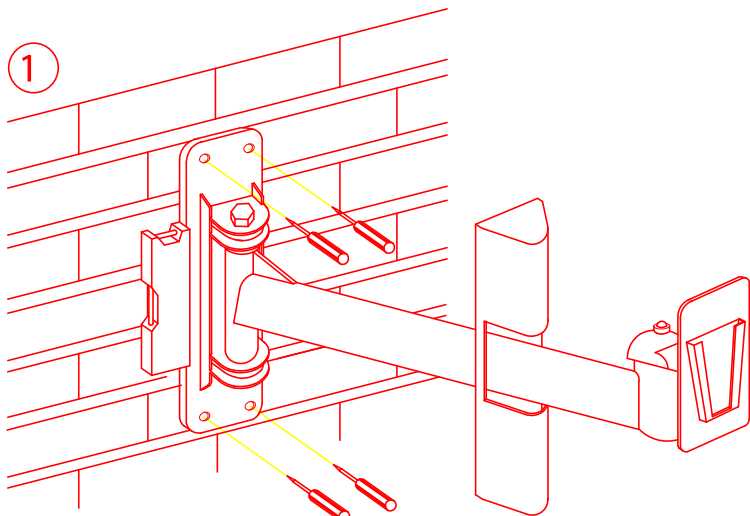
TECH-BRACK LTD.

FOR USE WITH MAXIMUM TV WEIGHT OF 15 KG. DO NOT EXCEED THIS FIGURE.

FOR CUSTOMER SERVICE  
PLEASE RING 0121-525-7838

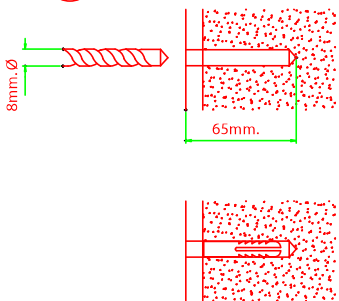
# FOR BRICK/SOLID WALL FIXING

1



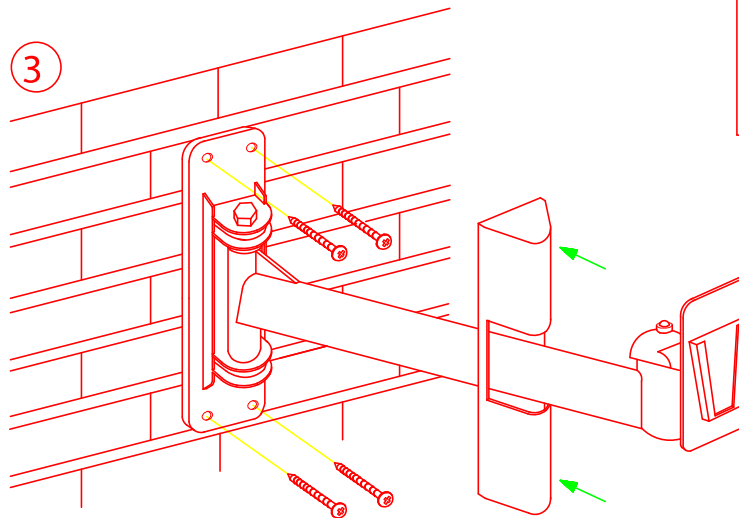
POSITION AND LEVEL WITH SPIRIT LEVEL.  
MARK 4 HOLE POSITIONS.  
PREPARE HOLES AS SHOWN BELOW.  
NEVER FASTEN INTO MORTAR JOINTS

2



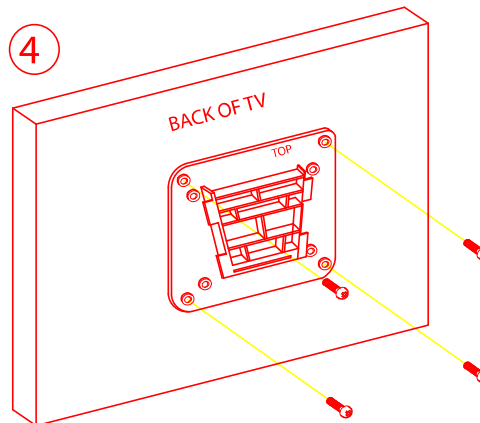
DRILL WALL AND INSERT PLASTIC RAW PLUG AS SHOWN

3

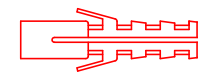


FIX WALL BRACKET USING THE 4 SCREWS PROVIDED.  
DO NOT TIGHTEN SCREWS WITH EXCESSIVE FORCE.  
WHEN SECURE SLIDE COVER INTO POSITION.

4



FIX TV BACK PLATE BRACKET TO BACK OF TV AS SHOWN WITH  
M4 SCREWS, USING 75mm. OR 100mm. CRS. AS APPROPRIATE.



x4  
PLASTIC RAW PLUG



x4

x1  
ALLEN KEY

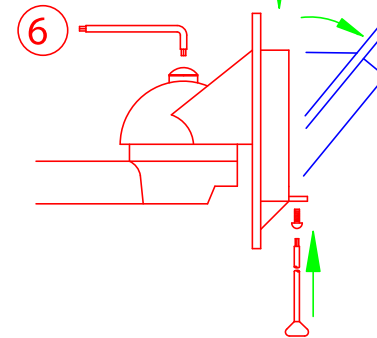
x4  
FOR TV FIXINGS

x1  
SECURING SCREW

5



6



5 SLOT TV INTO WALL BRACKET AND  
SECURE FROM UNDERNEATH WITH SOCKET  
M4 SCREW USING SOCKET DRIVER PROVIDED.

6 ADJUST TILT TO SUIT, USING ALLEN KEY PROVIDED.

USE ONLY PAN HEAD SCREWS  
ON THIS PRODUCT.