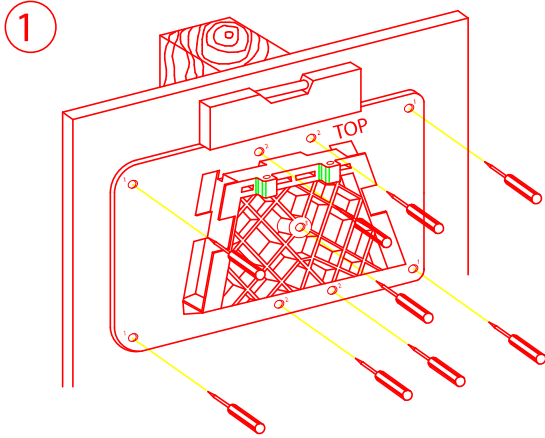
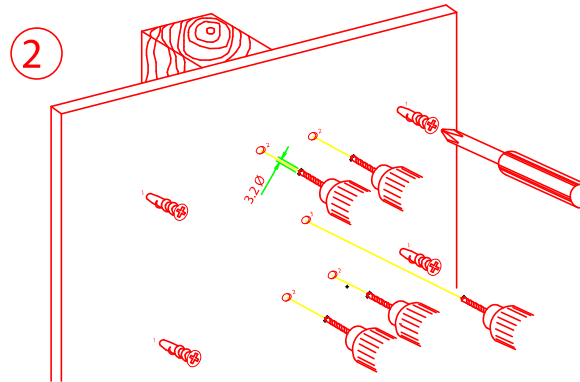


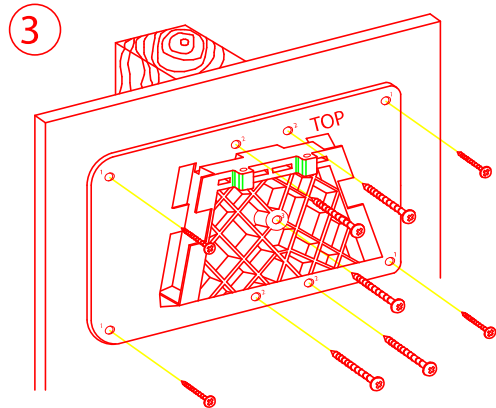
# FOR STUDDED WALL FIXING



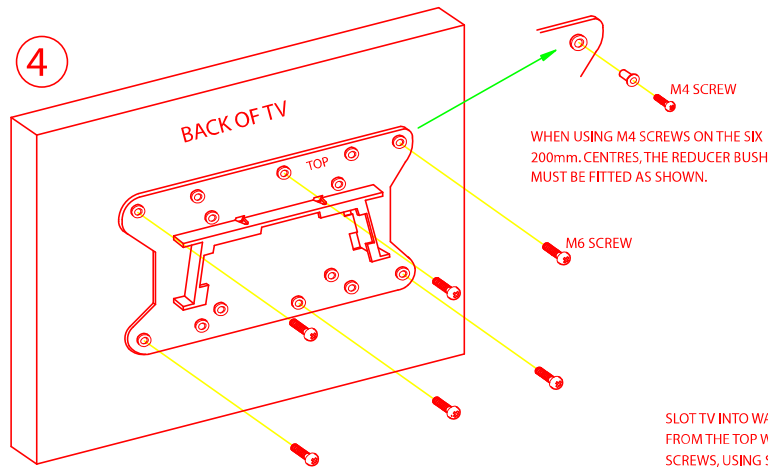
POSITION TO ENSURE 5 HOLES MARKED 2 AND 3 WILL FIX TO FIRM WOOD STUD AND LEVEL WITH SPIRIT LEVEL. MARK ALL 9 HOLE POSITIONS.



FOR STUDDED WALLS SCREWS MUST BE FIXED TO A FIRM WOOD STUD. THE 5 HOLES MARKED 2 AND 3 TO BE PRE-DRILLED TO 3.2 DIA. (1/8") INTO THE WOOD STUD. SCREW INTO THE 4 POSITIONS YOU HAVE MARKED AT POSITION 1 THE METAL PLASTERBOARD SCREW INSERTS.

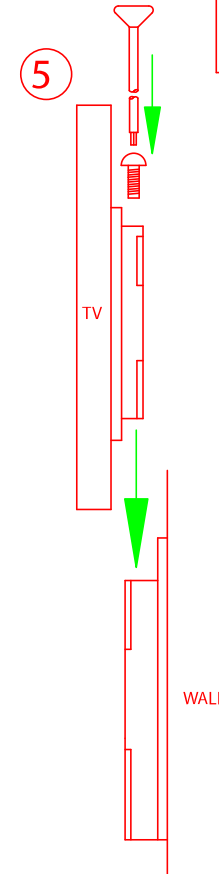


FIX WALL BRACKET USING ALL 9 APPROPRIATE SCREWS. NEVER FASTEN TO PLASTERBOARD OR PANELING ONLY. DO NOT TIGHTEN SCREWS WITH EXCESSIVE FORCE.

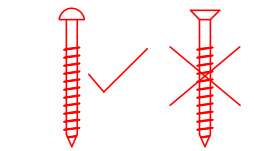
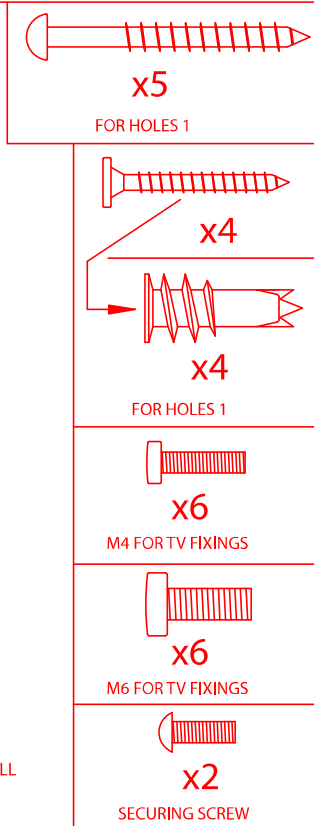


FIX TV BACK PLATE BRACKET TO BACK OF TV AS SHOWN WITH THE FOUR M4 SCREWS, USING 75mm. OR 100mm. CRS. OR THE SIX M6 SCREWS, USING 200 mm. CRS. AS APPROPRIATE.

WHEN USING M4 SCREWS ON THE SIX 200mm. CENTRES, THE REDUCER BUSH MUST BE FITTED AS SHOWN.



SLOT TV INTO WALL BRACKET AND SECURE FROM THE TOP WITH THE TWO SOCKET M4 SCREWS, USING SOCKET DRIVER PROVIDED.

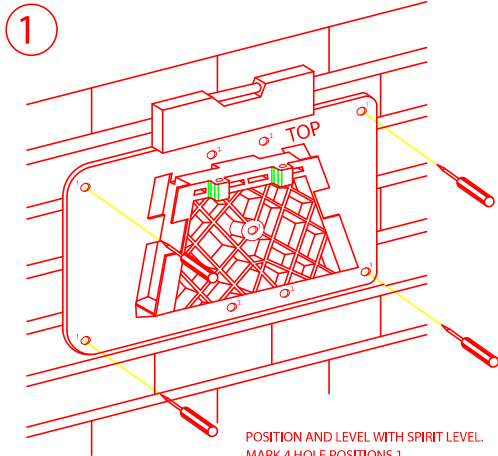


USE ONLY PAN HEAD SCREWS ON THIS PRODUCT.

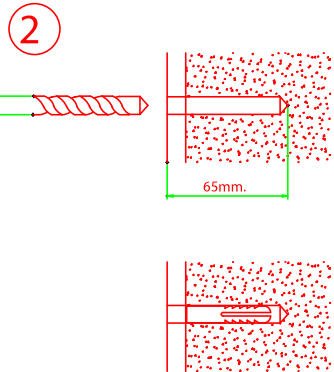
FOR CUSTOMER SERVICE PLEASE RING 0121-525-7838

FOR USE WITH MAXIMUM TV WEIGHT OF 30 KG. DO NOT EXCEED THIS FIGURE.

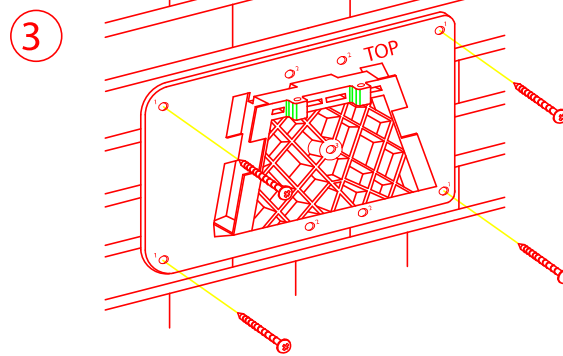
# FOR BRICK/SOLID WALL FIXING



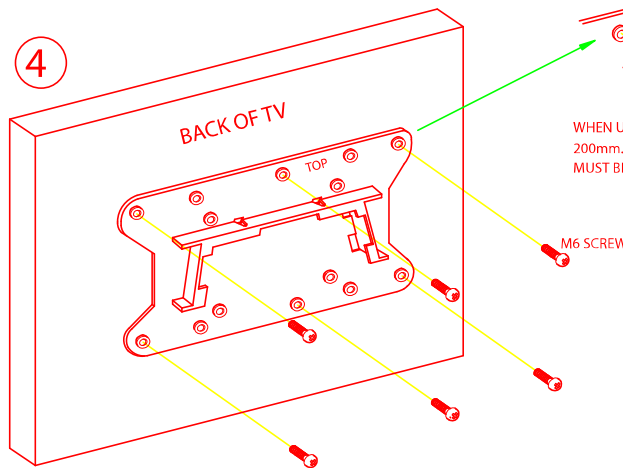
POSITION AND LEVEL WITH SPIRIT LEVEL.  
MARK 4 HOLE POSITIONS 1.  
PREPARE HOLES AS SHOWN BELOW.  
NEVER FASTEN INTO MORTAR JOINTS



DRILL WALL AND INSERT PLASTIC RAW PLUG AS SHOWN

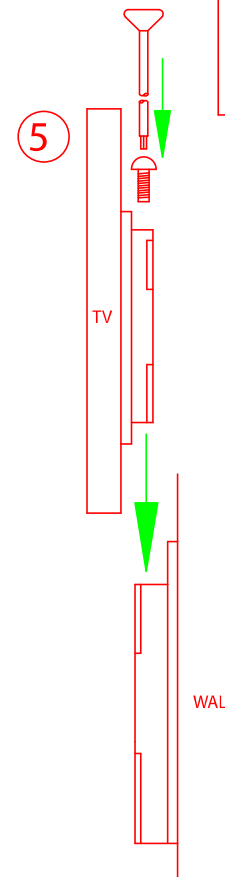


FIX WALL BRACKET USING THE 4 SCREWS PROVIDED.  
DO NOT TIGHTEN SCREWS WITH EXCESSIVE FORCE.

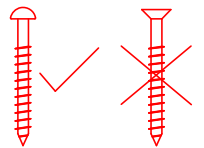
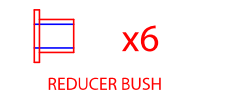
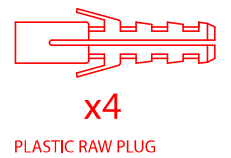
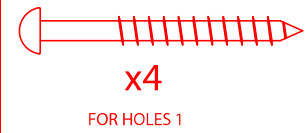


FIX TV BACK PLATE BRACKET TO BACK OF TV AS SHOWN WITH  
THE FOUR M4 SCREWS, USING 75mm. OR 100mm. CRS. OR  
THE SIX M6 SCREWS, USING 200 mm. CRS. AS APPROPRIATE.

WHEN USING M4 SCREWS ON THE SIX  
200mm. CENTRES, THE REDUCER BUSH  
MUST BE FITTED AS SHOWN.



SLOT TV INTO WALL BRACKET AND SECURE  
FROM THE TOP WITH THE TWO SOCKET M4  
SCREWS, USING SOCKET DRIVER PROVIDED.



USE ONLY PAN HEAD SCREWS  
ON THIS PRODUCT.

FOR CUSTOMER SERVICE  
PLEASE RING 0121-525-7838