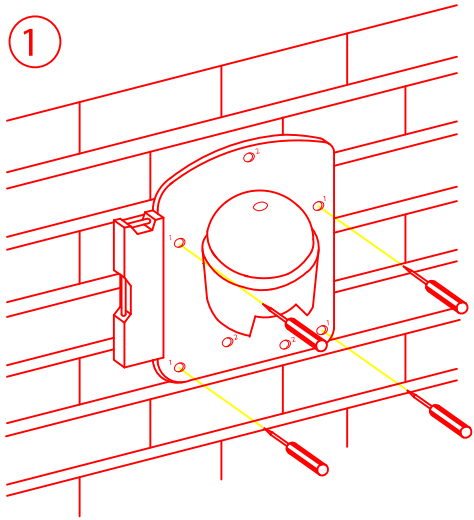


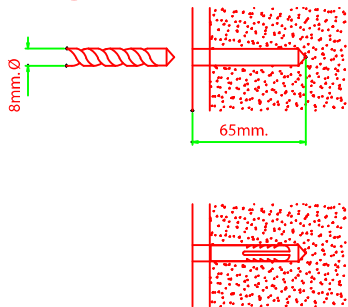
FOR BRICK/SOLID WALL FIXING

1



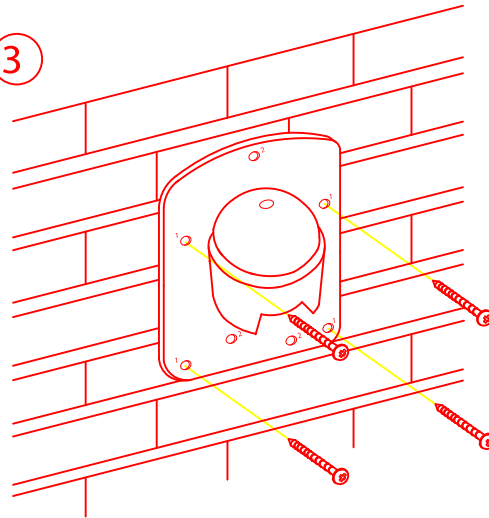
POSITION AND LEVEL WITH SPIRIT LEVEL.
MARK 4 HOLE POSITIONS 1.
PREPARE HOLES AS SHOWN BELOW.
NEVER FASTEN INTO MORTAR JOINTS

2



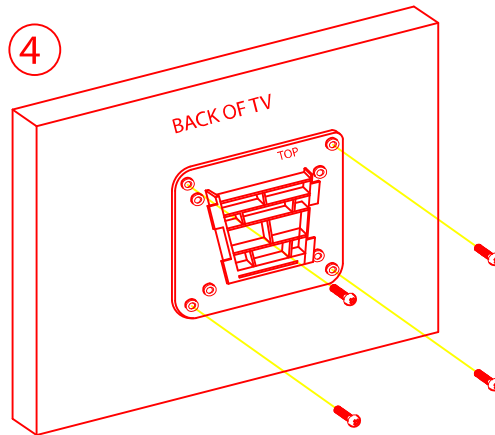
DRILL WALL AND INSERT PLASTIC RAW PLUG AS SHOWN

3



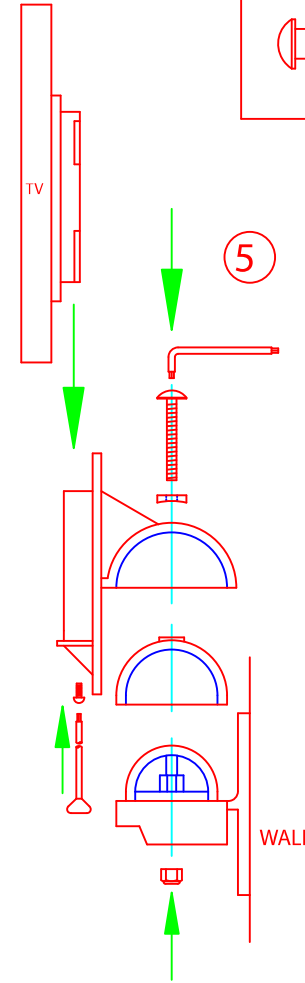
FIX WALL BRACKET USING THE 4 SCREWS PROVIDED.
DO NOT TIGHTEN SCREWS WITH EXCESSIVE FORCE.

4



FIX TV BACK PLATE BRACKET TO BACK OF TV AS SHOWN WITH
M4 SCREWS, USING 75mm. OR 100mm. CRS. AS APPROPRIATE.

6

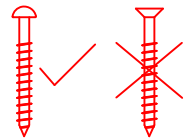
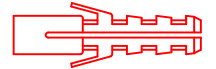
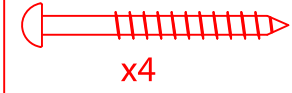


5

ASSEMBLE MIDDLE CUP AND BACK PLATE
TO WALL MOUNTED PLATE AND SECURE WITH
M6 SCREW AND WASHER PROVIDED, INTO NUT.
DO NOT OVER TIGHTEN.

6

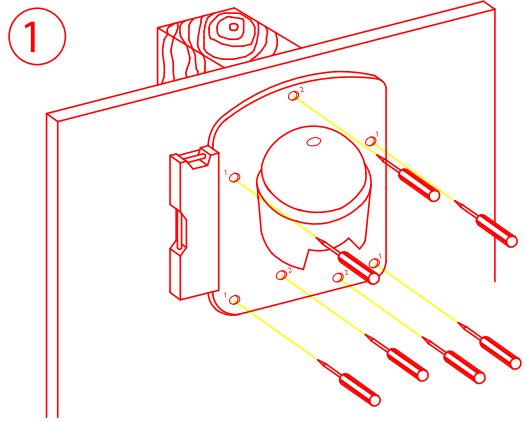
SLOT TV INTO WALL BRACKET AND
SECURE FROM UNDERNEATH WITH SOCKET
M4 SCREW USING SOCKET DRIVER PROVIDED.



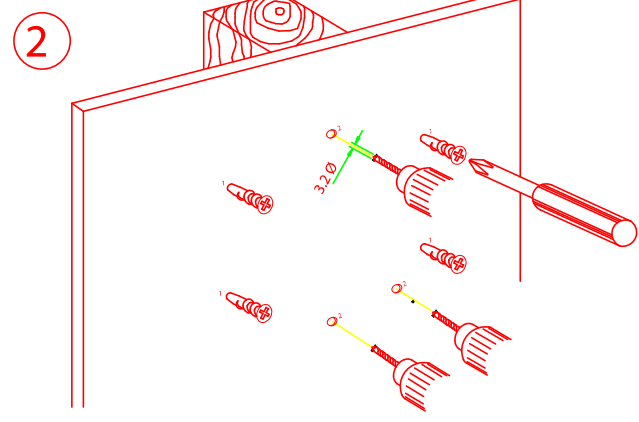
USE ONLY PAN HEAD SCREWS
ON THIS PRODUCT.

FOR CUSTOMER SERVICE
PLEASE RING 0121-525-7838

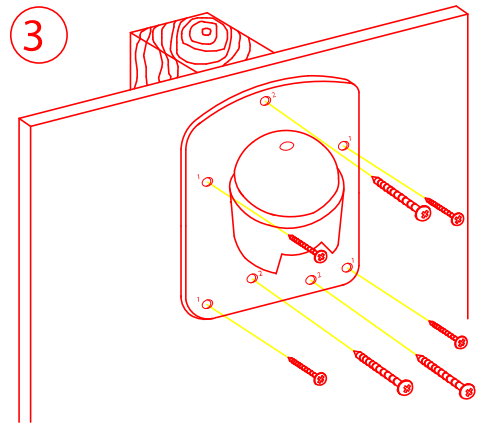
FOR STUDDED WALL FIXING



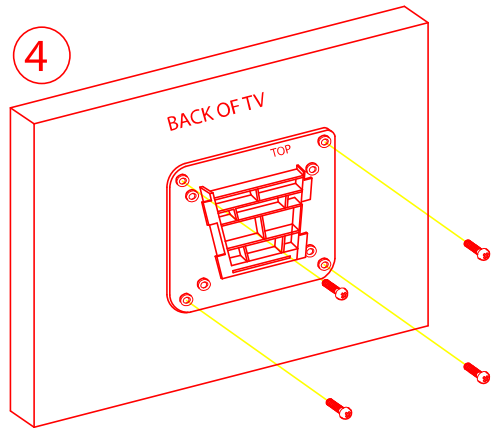
POSITION TO ENSURE 3 HOLES MARKED 2 WILL FIX TO FIRM WOOD STUD AND LEVEL WITH SPIRIT LEVEL. MARK ALL 7 HOLE POSITIONS.



FOR STUDDED WALLS SCREWS MUST BE FIXED TO A FIRM WOOD STUD, THE 3 HOLES MARKED 2 TO BE PRE-DRILLED TO 3.2 DIA. (1/8") INTO THE WOOD STUD. SCREW INTO THE 4 POSITIONS YOU HAVE MARKED AT POSITION 1, THE METAL PLASTERBOARD SPEED PLUGS.








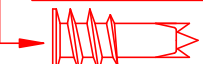




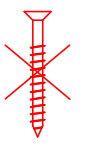
FIX WALL BRACKET USING ALL 7 APPROPRIATE SCREWS. NEVER FASTEN TO PLASTERBOARD OR PANELING ONLY. DO NOT TIGHTEN SCREWS WITH EXCESSIVE FORCE.



FIX TV BACK PLATE BRACKET TO BACK OF TV AS SHOWN WITH M4 SCREWS, USING 75mm. OR 100mm. CRS. AS APPROPRIATE.

6

5

 M6 SCREW x1	 x3 FOR HOLES 2
 x1 WASHER	 x4 FOR HOLES 1
 x1 ALLEN KEY	 x4 METAL PLASTERBOARD SPEED PLUG
 x4 FOR TV FIXINGS	 x1 SECURING SCREW
 x1 M6 NUT	 

5 ASSEMBLE MIDDLE CUP AND BACK PLATE TO WALL MOUNTED PLATE AND SECURE WITH M6 SCREW AND WASHER PROVIDED, INTO NUT. DO NOT OVER TIGHTEN.

6 SLOT TV INTO WALL BRACKET AND SECURE FROM UNDERNEATH WITH SOCKET M4 SCREW USING SOCKET DRIVER PROVIDED.

USE ONLY PAN HEAD SCREWS ON THIS PRODUCT.